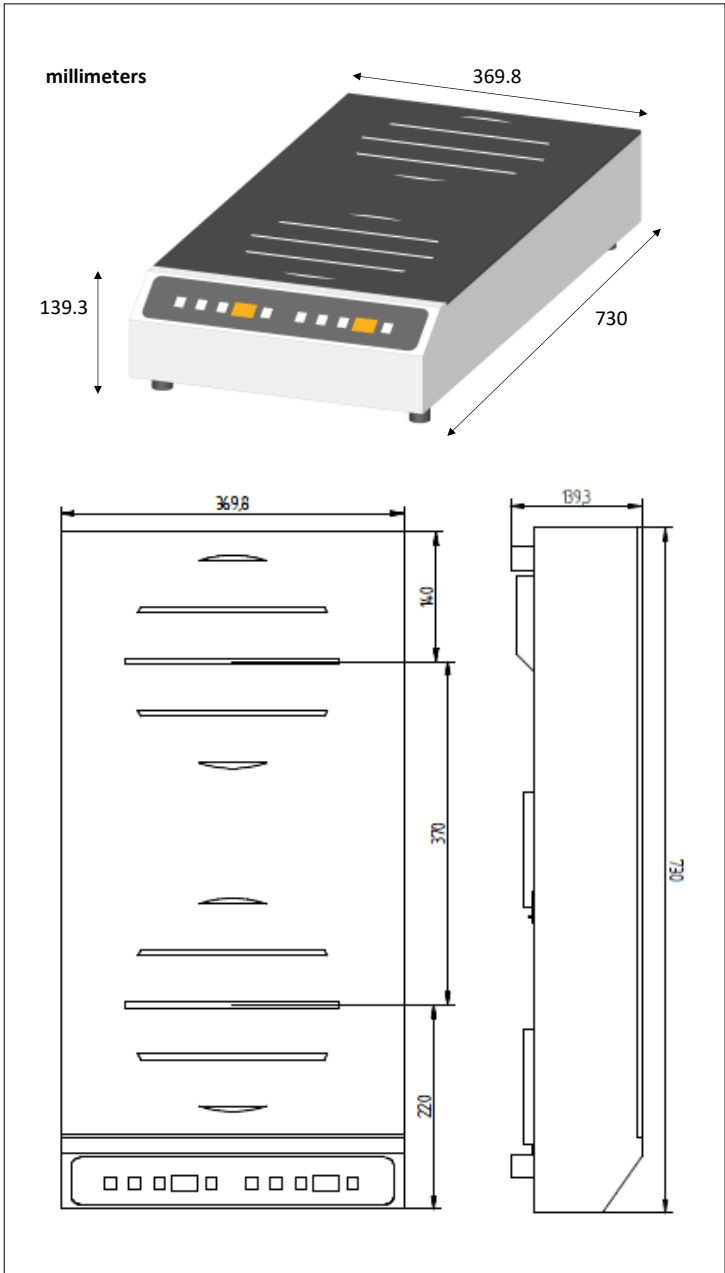


| TECHNICAL FEATURES | |
|------------------------------|--|
| External structure | AISI 304 stainless steel |
| Dimensions | 730 x 369.8 x 139.3 |
| Power | 2 x 3500 W |
| Cooking surface | Vitroc ceramic glass. |
| Control panel | Glass touches |
| Amp | 15A x 2 |
| Functions | (x2) On/Off, front-back zone, manual power setting (+/-) and timer control with 2 digits display (works for both power and timer). |
| Power supply | Cable without plug for single-phase or three-phase connection. |
| Weight | 12 kg kg / 26.5 lbs. |
| Standards | Complies with European standards for safety of electrical appliances. |
| Details & Options | Including a power cord and a washable filter (wash regularly). |



ADVENTYS
Route de Pagny - 21250 Seurre - France
www.adventys.com
sales@adventys.com
T: +33 3 80 20 46 15

Important note

Adventys reserves the right to modify specifications without notice.

